

# Bunk Bed

## Specialty Series

Murphy style bunk beds are a great solution for kids rooms, fire stations, cabins, lodges and dormitories. These beds will maximize your space with the highest quality craftsmanship available on the market today.



**All Wood**  
Construction

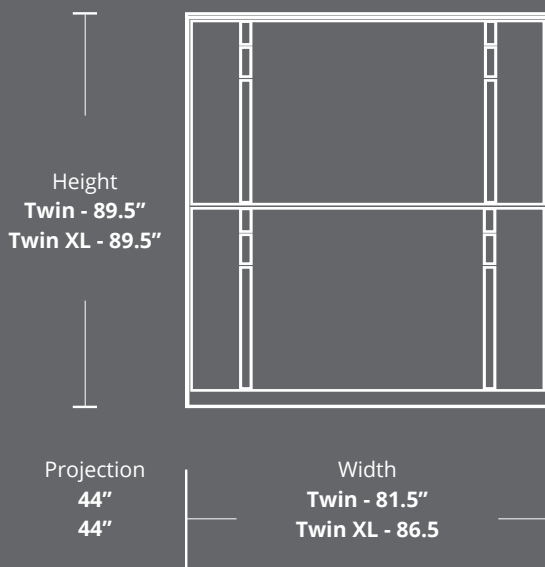


**Hand-Crafted**  
in the USA



**Lifetime Warranty**  
on all Mechanisms

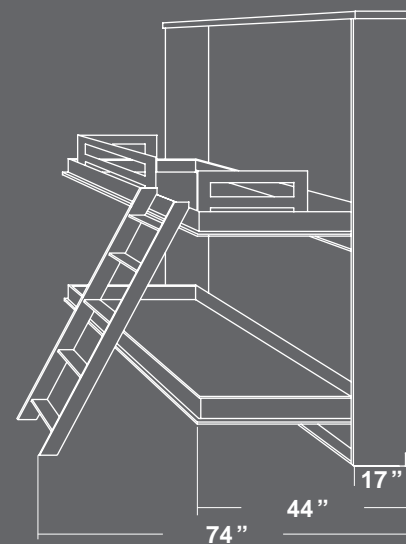
## Dimensions



90.25" height needed  
for installation

### Murphy Bed Depth Options:

Standard: 16"  
Deep: 20"  
Storage: 23"



# Bunk Bed Pricing

Murphy Bed, Cabinet, & Options

## BED OPTIONS

### Bunk Bed

Style	Oak	Alder, Paint Grade	Cherry, Mahogany
Edge	\$4,149	\$4,269	\$4,929
Avery Park	\$4,419	\$4,529	\$5,309
Newport	\$4,319	\$4,449	\$5,189
Park City	\$4,539	\$4,679	\$5,419
Brittany II	\$4,529	\$4,679	\$5,449
Presidential	\$5,969	\$6,099	\$6,869
Mission Street	\$5,249	\$5,589	\$6,379
Hampton	\$6,479	\$6,619	\$7,389
Harmony II	\$6,479	\$6,619	\$7,389
Tuscany	\$8,179	\$8,689	\$9,839

### Headboard Options

Deep	Storage Headboard	Storage Upper Cabinets
\$495	\$949	N / A

### Lights

LED Wallbed Lights
\$539